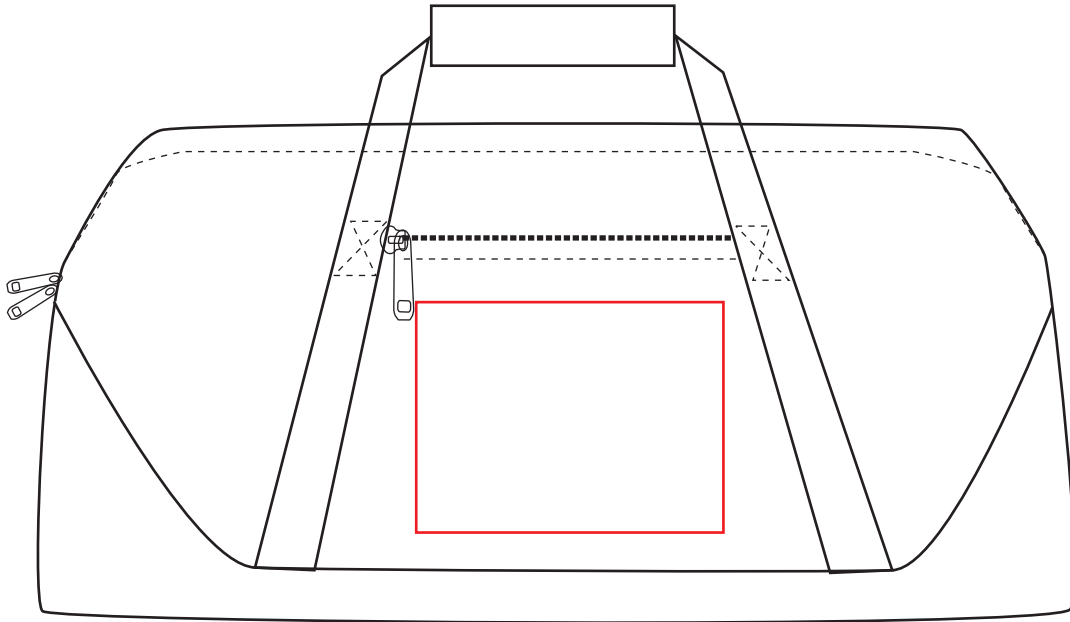


# A00051-B-3911

\* ITEM DIAGRAM IS SHOWN AT 20% OF ACTUAL SIZE \*



8.00" W x 6.00" H  
SCREEN PRINT  
AVAILABLE IMPRINT AREA