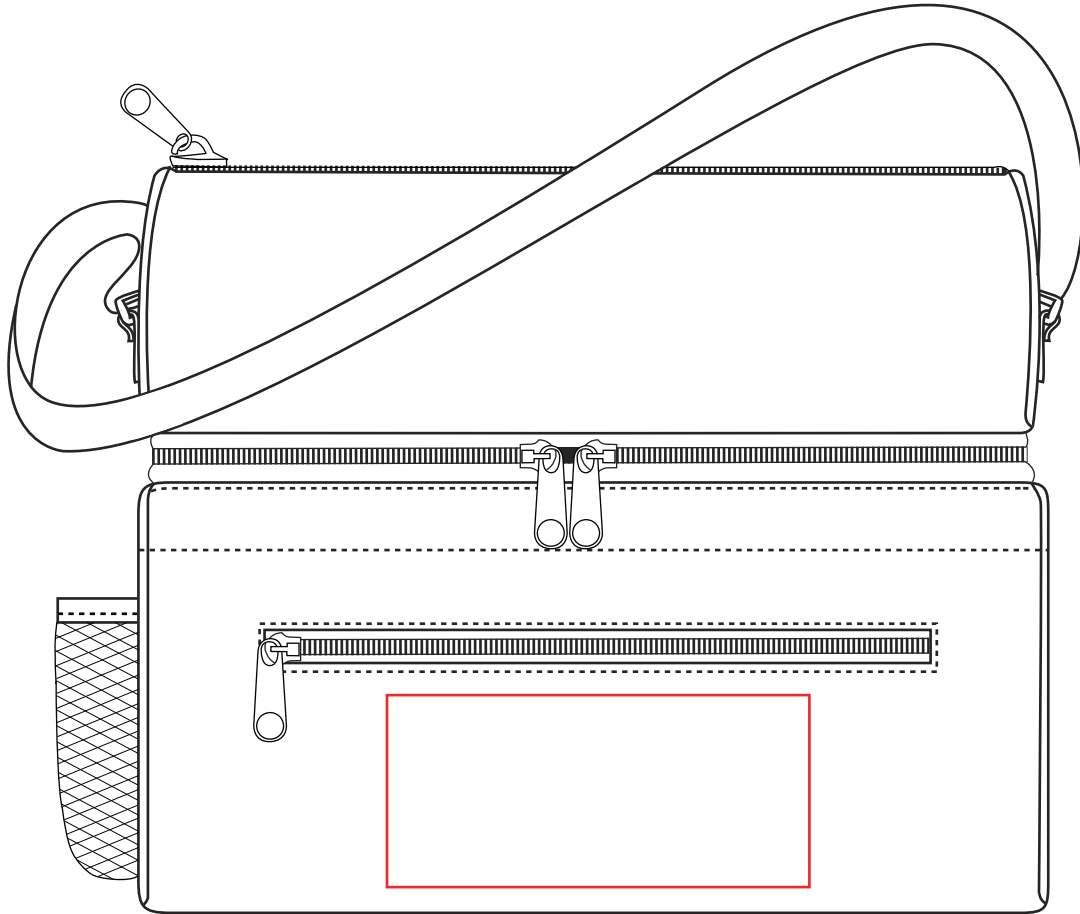


A00026-B-6509

* ITEM DIAGRAM IS SHOWN AT 40% OF ACTUAL SIZE *



5.50" W x 2.50" H
SCREEN RPINT
AVAILABLE IMPRINT AREA