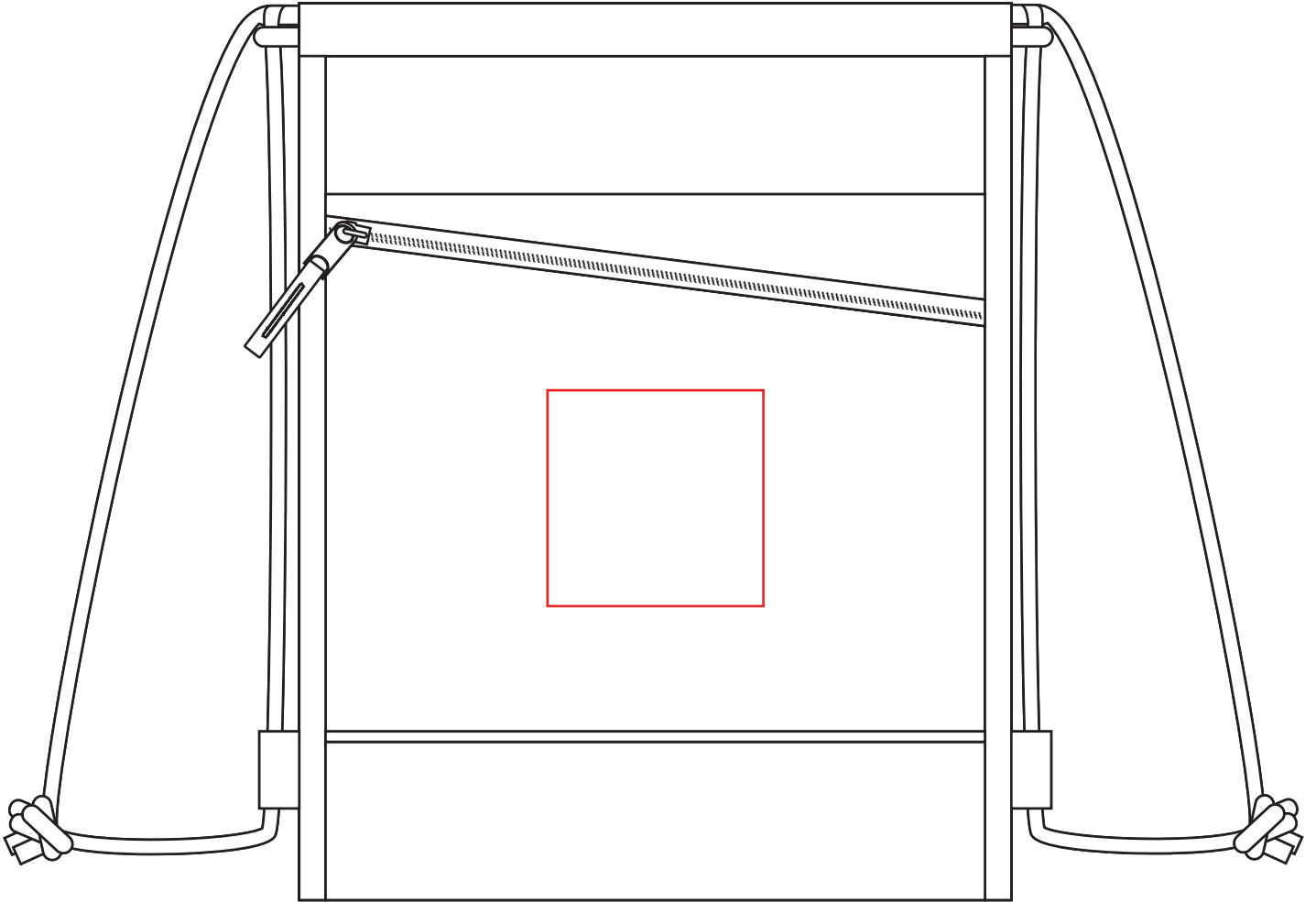


# B-7459

\* ITEM DIAGRAM IS APPROXIMATELY AT 30% OF ACTUAL SIZE \*



AVAILABLE IMPRINT AREA  
HEAT TRANSFER  
3.00" W x 3.00" H  
FRONT POCKET - DEFAULT