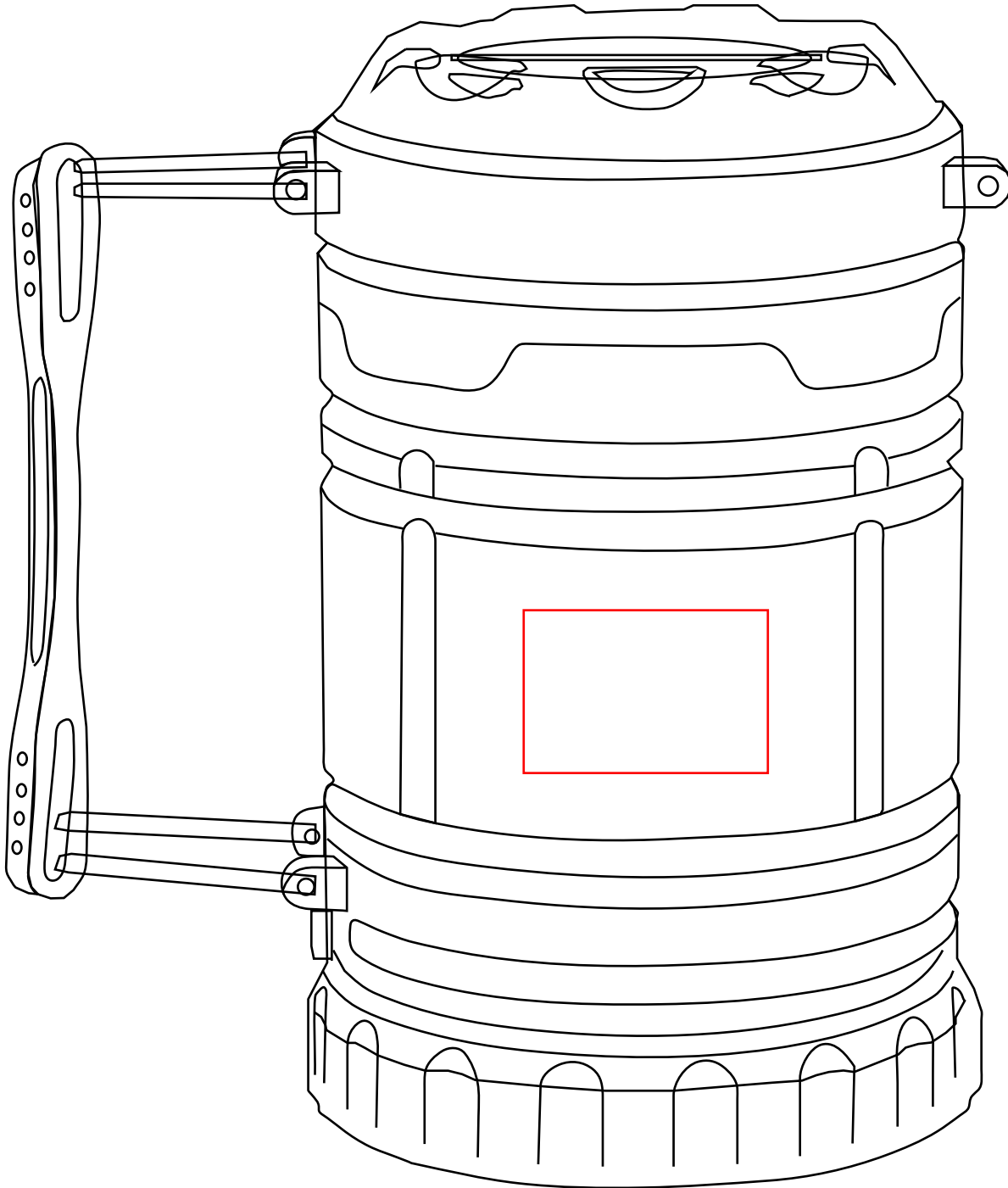


# A00053-FL-1403

\* ITEM DIAGRAM IS SHOWN AT 100% OF ACTUAL SIZE \*



1-1/2" W x 1" H (Both Sides)  
SCREEN PRINT  
AVAILABLE IMPRINT AREA