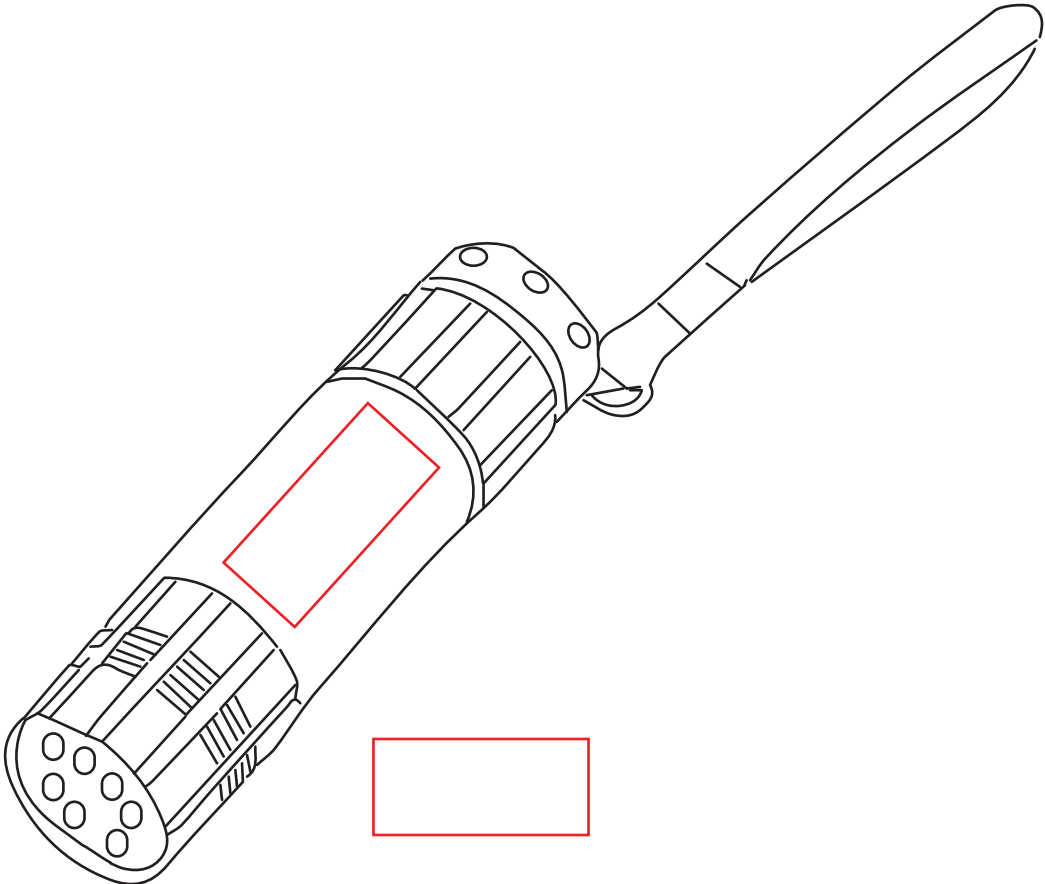


# A00046-FR-1033

\* ITEM DIAGRAM IS APPROXIMATELY AT 100% OF ACTUAL SIZE \*



1.12" W X 0.5" H  
AVAILABLE IMPRINT AREA  
LASER ENGRAVE