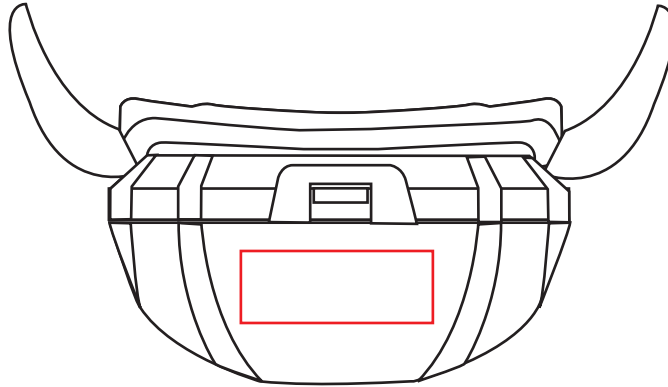


# FS-1205



1.00" W x 0.37" H  
AVAILABLE IMPRINT AREA  
- TOP -  
PAD PRINT